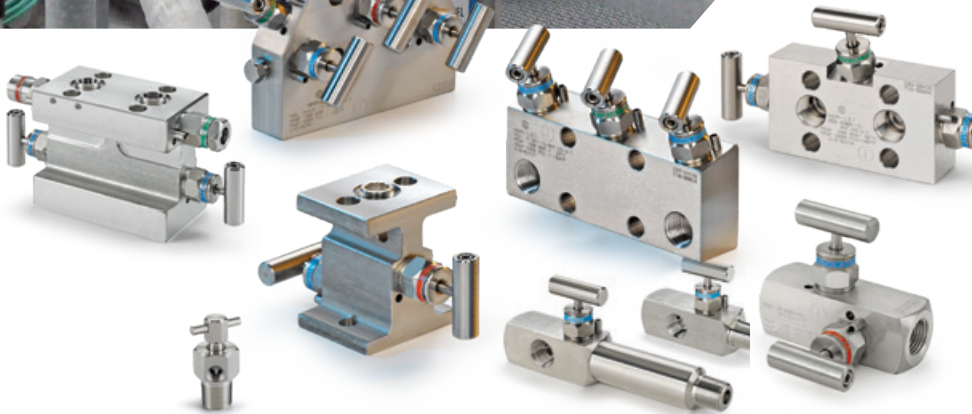




HAM-LET MANIFOLDS

1|2|3|4|5

WAY MANIFOLDS



Platinum Natural Gas Solutions



OVERVIEW

UCT offers a broad line of 1,2,3,4,5 instrument manifolds, all available in a wide range of materials that are fully compatible with the requirements of the oil & gas, petro-chemical and chemical industries.

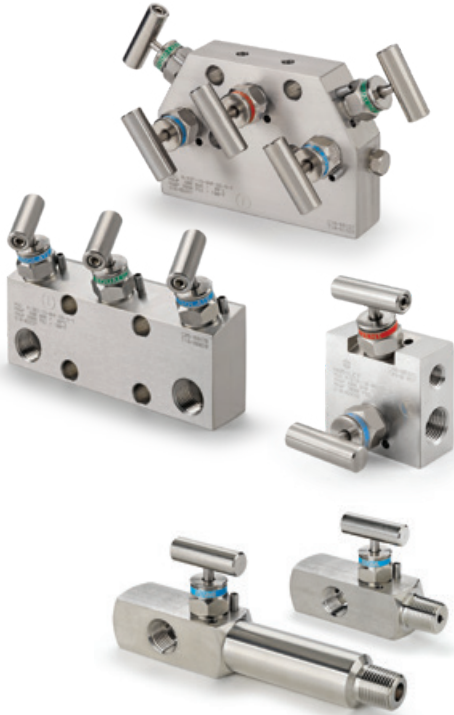
In addition to this standard range of products, UCT has over 3,500 different types of valves and manifolds available.

UCT has a solid engineering heritage, offering a broad range of products. Our portfolio includes valves and manifolds suitable for gas and liquid services as well as full-service solutions that include custom engineering, design and manufacture of instrument enclosures, modular mounting systems, hook-ups and interlocking solutions for critical conditions and temperatures.

As a customer-focused company, UCT provides high-quality products and engineering solutions that address our customers' business and technical requirements. For the UCT line, we can offer scalability to design:

- Choice of materials from AISI 316 to special alloy solutions for highly toxic areas
- Connections, pressure and temperature rating varieties
- Bonnet assemblies offer different stem, seal and material selections
- Option for standard packing, o-ring sealing and fugitive emissions bonnets
- Extensive range of valve configurations and flow schemes
- Fully equipped instrument enclosures

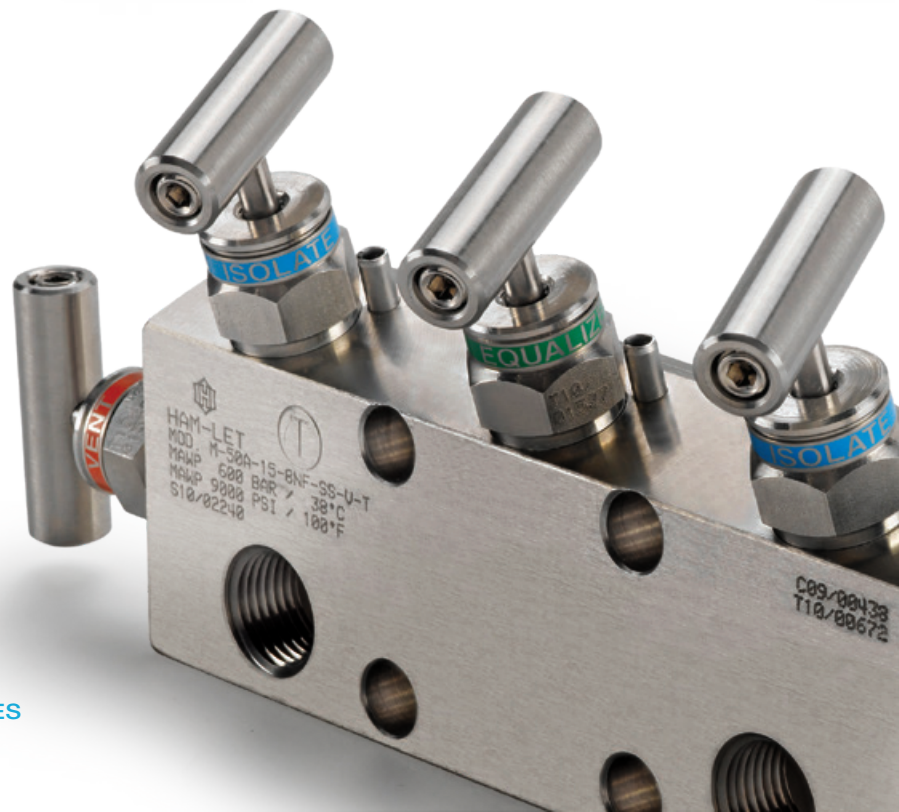
With over 50 years of designing and manufacturing reliable products and solutions, UCT has acquired an outstanding reputation for quality and customer service. We are always inspired by the need to evolve and stay ahead of the ever changing marketplace.



1|2|3|4|5 WAY MANIFOLDS



Our Manifolds are certified to ISO 15848-1, ensuring the lowest fugitive emissions rates and maximum safety for hydrogen handling.



MANIFOLD FEATURES AND BENEFITS

The following unique features of the UCT Line of Instrument Manifolds enable tailoring our high-quality products to the exact requirement of the customer and application.

NACE MR-01-75 / MR-01-03

All manifolds comply to NACE MR-01-75/MR-01-03 as standard.

FULL TRACEABILITY

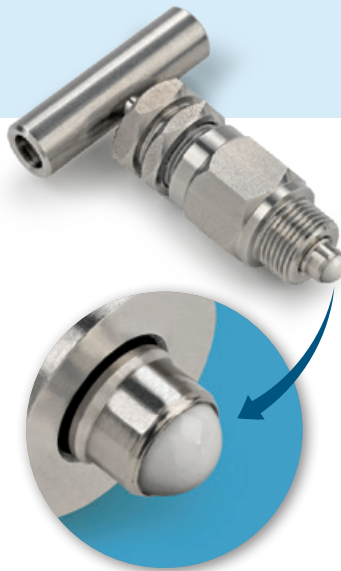
All products are fully traceable to its components.

WIDE VARIETY OF SEALING MATERIALS

- PTFE; Grafoil®
- Fluorocarbon FKM
- NBR
- EPDM
- Silicon perfluorelastomer – provides wide coverage of application

CERAMIC STEM BALL TIP Al_2O_3

Superior hardness prevents deformation of the sealing tip and wear, significantly increasing the lifetime of the product for isolation purposes.



BONNET SELECTIONS

O-ring stem-seal bonnet

1. No packing adjustment
2. Extremely low operating torque
3. Compact design
4. Long life cycle
5. Sealing below stem thread
6. Metal-to-metal bonnet option

Packing stem-seal bonnet

1. Wide chemical compatibility range
2. High temperature option (Grafoil®)
3. Low operating torque
4. Sealing below stem thread

STEM MATERIAL

SST. 316 Ti with chromium carbide diffusion coating

1. Long life cycle
2. Prevents galling

Features

- Certified for ISO 15848-1:2006(E), (with PEEK or polyimide seals)
- Blowout-proof stem
- Integrated back seat on stem for a secondary seal in the fully opened position
- Safety stop pin prevents the bonnet from detaching due to vibration
- Stem seals below stem threads
- A choice of o-ring materials
- Oxygen clean per ASTM G-93 as an option
- 100% factory tested compliance with MSS-SP-99
- Direct mount flange design per IEC61518 / DIN19213 (MAWP 6,000 psig)
- Working pressure range up to 690 bar (10,000 psig)
- Working temperature range up to 550°C (1022°F)

Grafoil – TM GrafTech International Holdings, Inc.

BONNET AND STEM CONCEPT

The special sealing design applied in all UCT instrument manifolds features a non-rotating ceramic ball tip.

The chemical composition of a ceramic ball tip is superior in hardness and functionality to a metal ball tip, eliminating sealing tip deformation and significantly increasing the lifetime of the product. The stem threads are rolled and an integrated back seat design is applied to the packing type of bonnet.

Applying a stainless steel 316 Ti stem with a chromium carbide diffusion coating results in maximum operation cycles and minimal risk of stem galling.

Both packing and o-ring bonnets are designed with sealing below stem threads for maximum protection of the stem threads. For maximum safety, the bonnet design prevents stem blowout, and a locking pin prevents unintentional disassembling of the bonnet.

UCT'S VALVE BONNETS HAVE COLOR CODED RING LABELS FOR SERVICE IDENTIFICATION



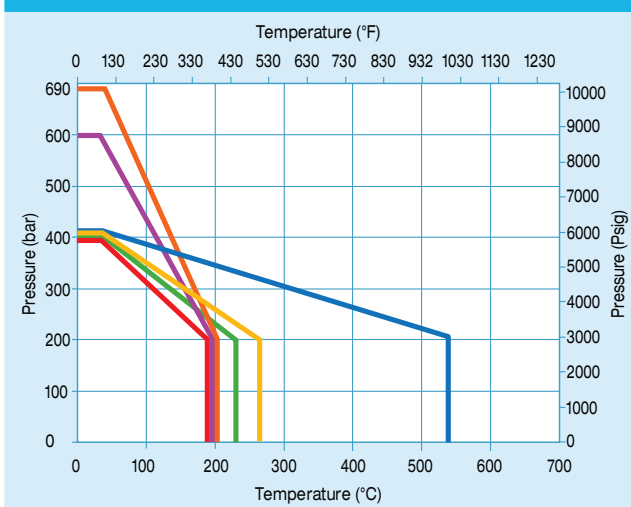
Red:
Vent Valves

Blue:
Isolate Valves

Green:
Equalize Valves

For severe service applications, UCT manifolds can be configured with a metal-to-metal seal below the bonnet thread. A dust-ring is attached to the bonnet thread or tack weld on the locking pin for extreme vibrating conditions.

PRESSURE AND TEMPERATURE RATING



Packing Material	Grafoil®	Down to -60°C (-76°F)
	PTFE	Down to -60°C (-76°F)
	PEEK	Down to -60°C (-76°F)
	Polyimide	Down to -10°C (14°F)

O-Ring Material	Fluorocarbon FKM	Down to -20°C (-4°F)
	NBR	Down to -34°C (-29°F)
	Perfluor	Down to -40°C (-40°F)
	EPDM	Down to -45°C (-49°F)

10,000 psi (690 bar)

Available upon request



*Not included in order of Anti-Tampered bonnet manifold. This key should be separately ordered.

HANDLE OPTIONS

The standard handle of the UCT line of instrument manifolds is a stainless steel t-bar. For high pressure applications of 10,000 psi (690 bar) an extended t-bar or hand wheel can be applied. anti-tamper bonnet and key* lock options assure that the manifold is operated by qualified personnel only.

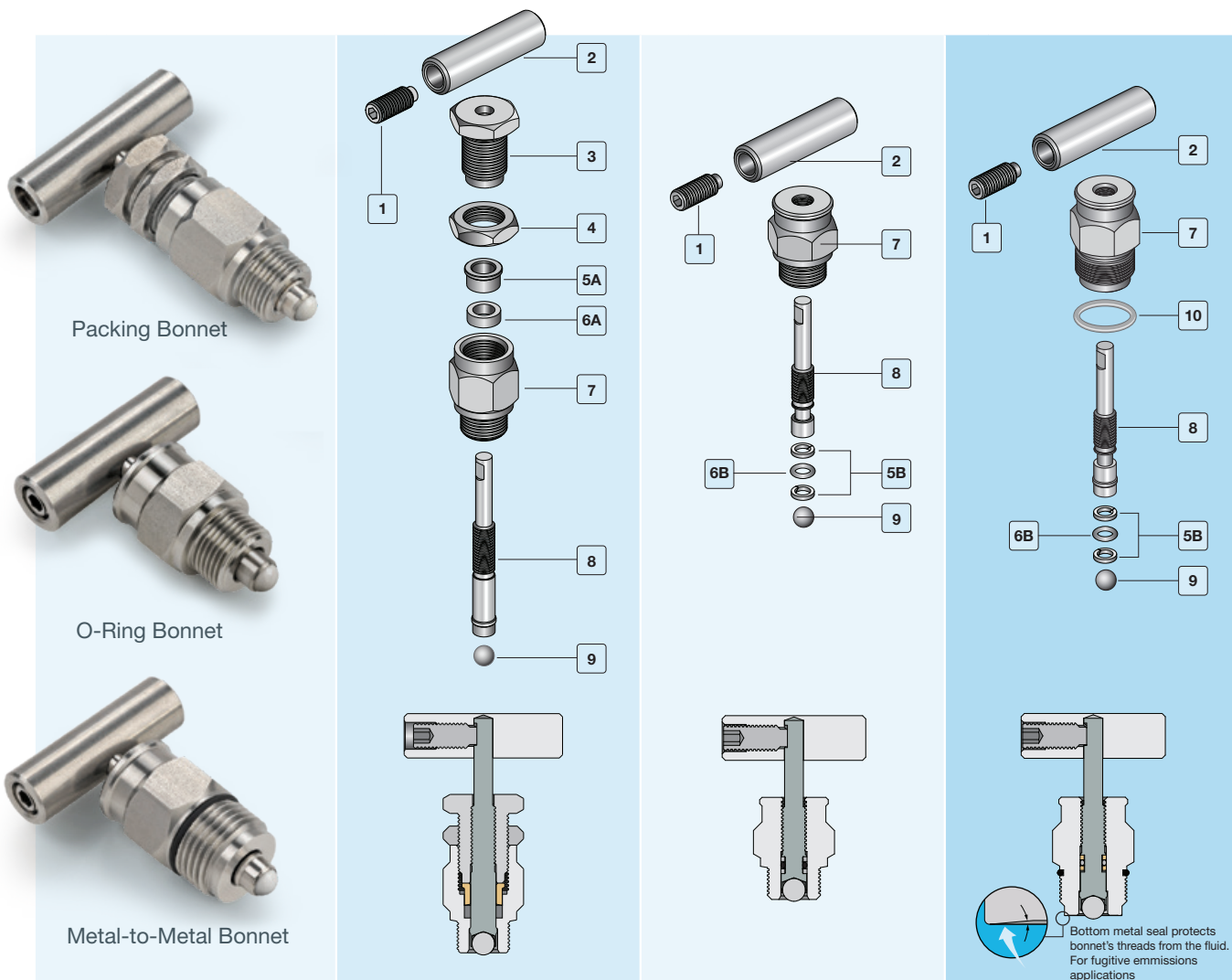
CLEANING

All UCT instrument manifolds are cleaned in accordance with ASTAVA cleaning procedure WIQ-016. Oxygen clean is available in accordance with ASTM G-93.

TESTING

All UCT instrument manifolds are factory tested with nitrogen at 800 psig (55 bar) based on MSS-SP-99. Seats have a maximum allowable leak rate of 0.1 std cm³/min. The hydrostatic and helium leak test is available upon request.

MATERIALS OF CONSTRUCTION

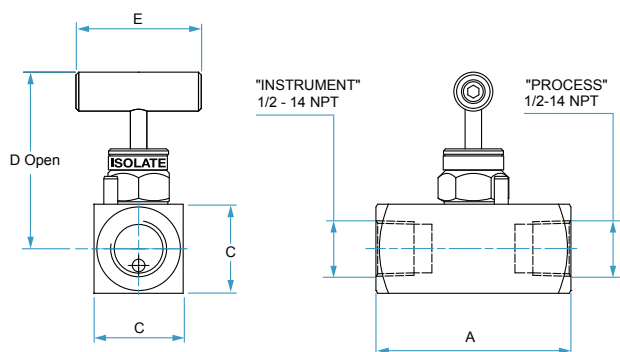


		Packing Bonnet		O-Ring Bonnet		Metal-to-Metal Bonnet	
No	Part	Qty.	Material	Qty.	Material	Qty.	Material
1	Set Screw	1	SST 304	1	SST 304	1	SST 304
2	Bar Handle	1	SST 316L	1	SST 316L	1	SST 316L
3	Gland	1	SST 316L	-	-	-	-
4	Locking Nut	1	SST 316L	-	-	-	-
5A	Pressure Ring	1	SST 316L	-	-	-	-
5B	Back-Up Ring	-	-	2	Virgin PTFE	2	Virgin PTFE
6A	Stem Packing	1	Virgin PTFE	-	-	-	-
6B	Stem O-Ring	-	-	1	Fluorocarbon FKM	1	Fluorocarbon FKM
7	Bonnet	1	SST 316L	1	SST 316L	1	SST 316L
8	Stem	1	SST 316Ti Chrome-Carbide Diffusion Coated	1	SST 316Ti Chrome-Carbide Diffusion Coated	1	SST 316Ti Chrome-Carbide Diffusion Coated
9	Ball	1	Ceramic	1	Ceramic	1	Ceramic
10	Dust Protector	-	-	-	-	1	Fluorocarbon FKM

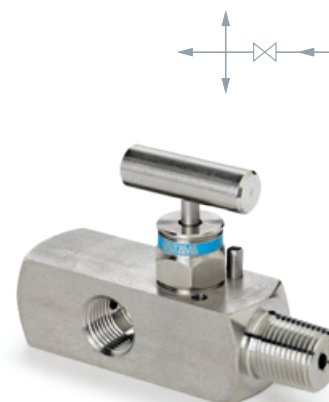
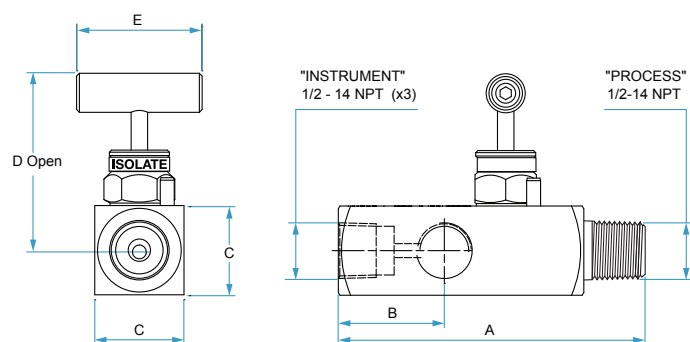
STANDARD CONFIGURATION DIMENSIONS 1-WAY MANIFOLDS

Instrument Mount Type	End Connection			Ordering Description	Dimensions									
					A		B		C		D		E	
	Process	Instrument	Vent/Bleed		mm	in	mm	in	mm	in	mm	in	mm	in
Remote Mount	1/2" FNPT	1/2" FNPT	-	M-10S-10-8N-SS-V-T	70.0	2.76	-	-	32.0	1.26	63.0	2.48	45.0	1.77
	1/2" FNPT	1/2" FNPT	-	M-10S-10-8N-SS-T-T	70.0	2.76	-	-	32.0	1.26	79.0	3.11	50.0	1.97
	1/2" MNPT	1/2" FNPT	1/2" FNPT	M-11S-85-8N-SS-V-T	110.0	4.33	38.0	1.50	32.0	1.26	63.0	2.48	45.0	1.77
	1/2" MNPT	1/2" FNPT	1/2" FNPT	M-11S-85-8N-SS-T-T	110.0	4.33	38.0	1.50	32.0	1.26	79.0	3.11	50.0	1.97

NEEDLE VALVE M-10S-10-8N-SS-V-T



MULTI-PORT VALVE M-11S-85-8N-SS-V-T



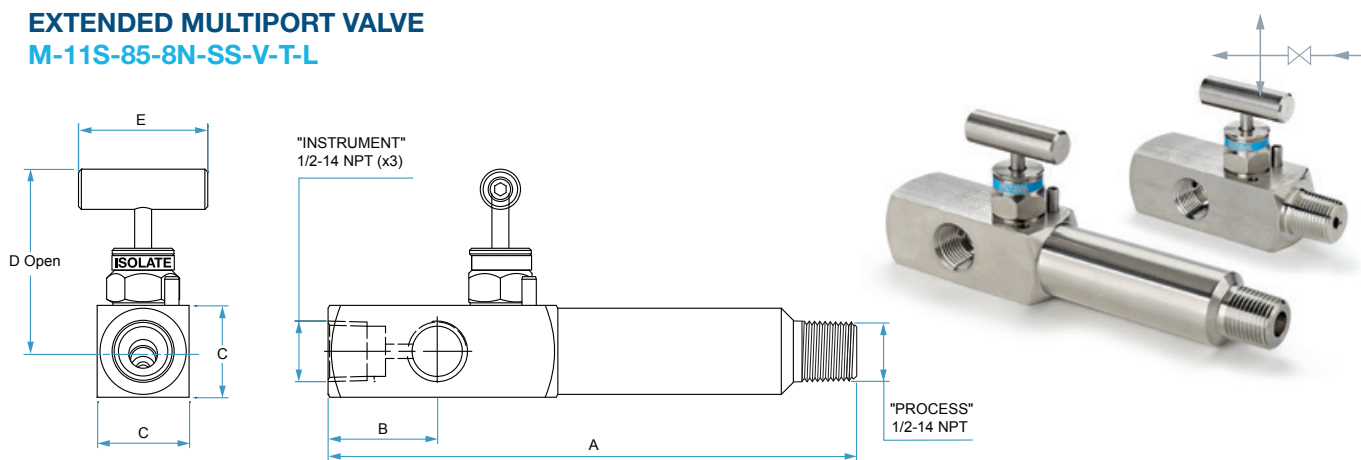
STANDARD CONFIGURATION DIMENSIONS

1-WAY MANIFOLDS

Instrument Mount Type	End Connection			Ordering Description	Dimensions									
					A		B		C		D		E	
	Process	Instrument	Vent/Bleed		mm	in	mm	in	mm	in	mm	in	mm	in
Remote Mount	1/2" MNPT	1/2" FNPT	1/2" FNPT	M-11S-85-8N-SS-V-T-L	184.0	7.24	38.0	1.50	32.0	1.26	63.0	2.48	45.0	1.77
	1/2" MNPT	1/2" FNPT	1/2" FNPT	M-11S-85-8N-SS-T-T-L	184.0	7.24	38.0	1.50	32.0	1.26	79.0	3.11	50.0	1.97
	1/2" MNPT	1/2" FNPT	1/4" FNPT	M-12M-85-8N-SS-V-T-P	100.0	3.54	30.0	1.18	32.0	1.26	63.0	2.48	45.0	1.77
	1/2" MNPT	1/2" FNPT	1/4" FNPT	M-12M-85-8N-SS-T-T-P	100.0	3.54	30.0	1.18	32.0	1.26	79.0	3.11	50.0	1.97

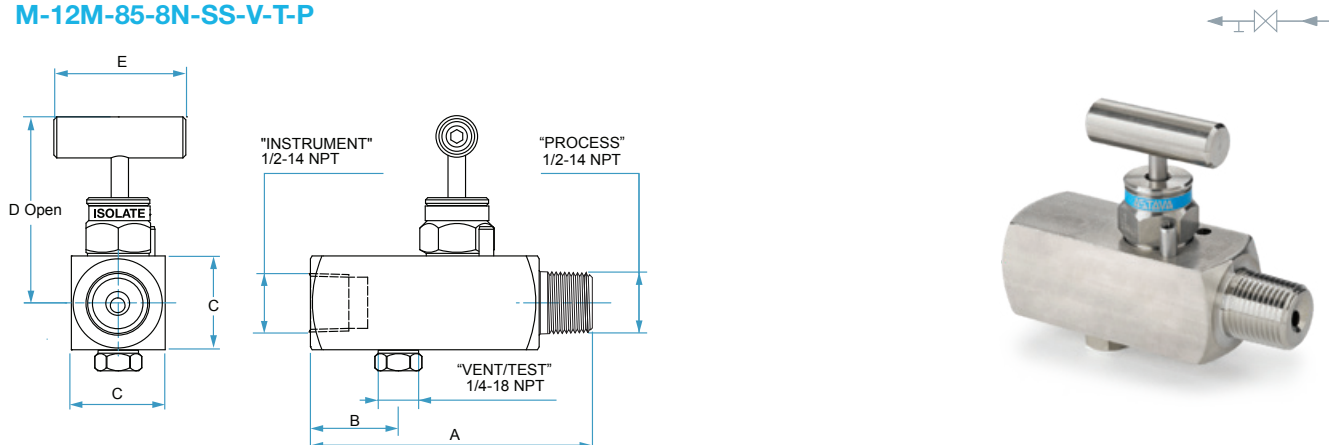
EXTENDED MULTIPORT VALVE

M-11S-85-8N-SS-V-T-L



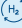
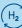
GAUGE VALVE

M-12M-85-8N-SS-V-T-P





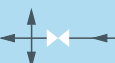



ORDERING INFORMATION

1-WAY MANIFOLDS

M-1		0S		10		8		N		SS		T		LD		OC	
Family		End Connection		Type End Connection		Body Material		Packing		Option							
M-1	1-Way Manifold	00	Female Integral Let-Lok®	N	NPT	SS	SST 316	T	PTFE	OC	Oxygen Clean						
Flow Scheme		05	Female integral Let-Lok to Female Socket Weld	G	BSPP	M	Alloy 400	G	Grafoil®	HYD	Hydrostatic pressure test						
0S	Straight	10	Female to Female	R	BSPT	D	Duplex 1.4462	PK	PEEK 	K	10,000 psi (690 bar)						
1S	Straight	80	Male to Male	L	Female Integral Let-Lok®	HC	Alloy C-276	PI	Polyimide 	L	Extended Inlet						
2M	Angle Square	85	Male to Female	MSW	Socket Weld	T	Titanium	V	Fluorocarbon FKM	B	Bleed Valve						
(See table A)		75	Female to Male	PSW	Pipe Socket Weld	SD	SuperDuplex	EP	EPDM	P	Blind Plug						
		Size		PBW	Pipe Butt Weld	SDS	SuperDuplex SAF 2507	BU	NBR								
		4	1/4"	MTSW	Tube Socket Weld	A6	Alloy 625	KZ	Perfluorelastomer								
		6	3/8"	MTBW	Tube Butt Weld	A8	Alloy 825	Handle									
		8	1/2"	TSW	Tube Socket Weld	6M	254 Smo	T	T-bar								
		10	10mm	TBW	Tube Butt Weld	321	AISI 321	AT	Anti Tamper*								
		12	12mm					LD	Locking Device*								
		14	14mm														
		16	1"														
		M20	M20 X 1.5														

* Key should be separately ordered

TABLE A: FLOW SCHEMATIC AND VALVE POSITION

Designator	Flow Schematic	Sketch
0S		
1S		
2M		

Warning!

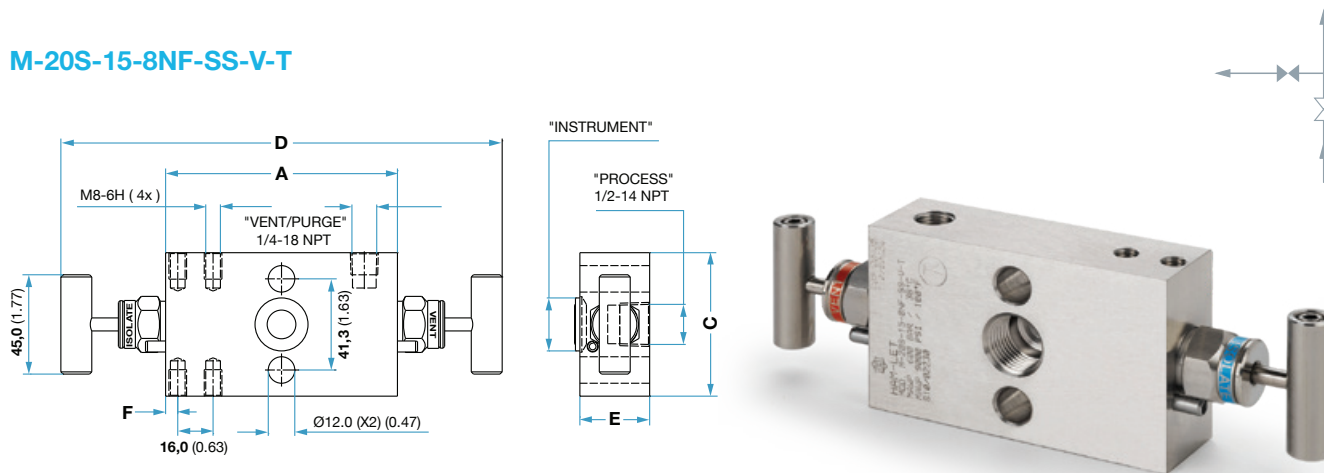
The system designer and user have the sole responsibility for selecting products suitable for their special application requirements, ensuring their safe and trouble-free installation, operation, and maintenance. Application details, material compatibility and product ratings should all be considered for each selected product. Improper selection, installation or use of products can cause property damage or personal injury.

STANDARD CONFIGURATION DIMENSIONS 2-WAY DIRECT MOUNT

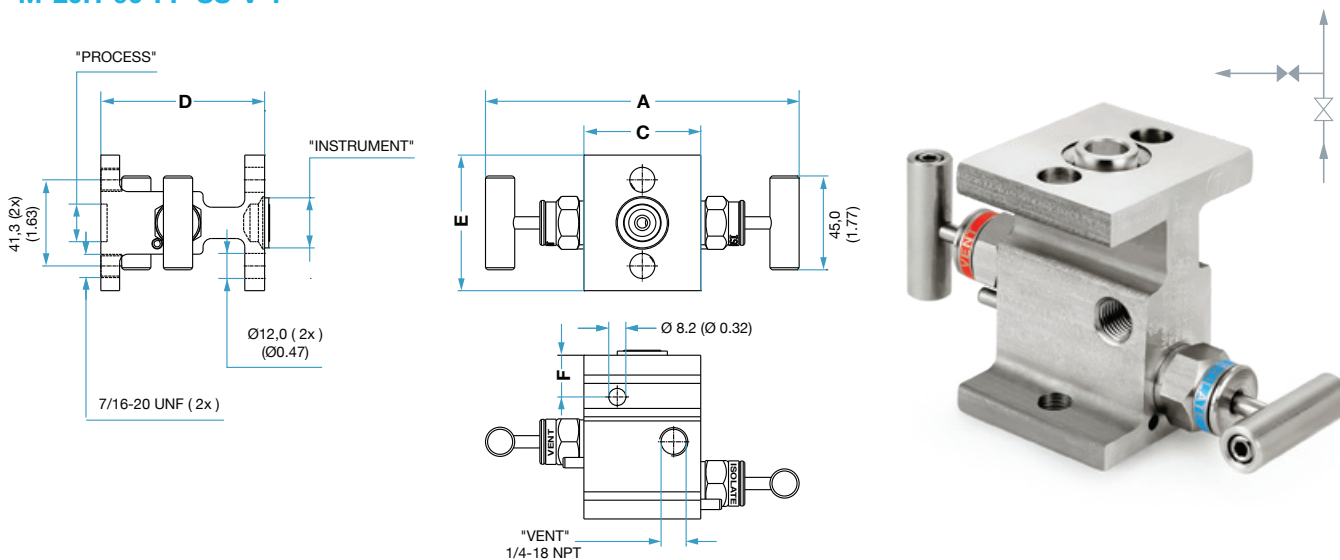
Instrument Mount Type	End Connection			Ordering Description	Dimensions											
					A		B		C		D		E		F	
	Process	Instrument	Vent / Bleed		mm	in	mm	in	mm	in	mm	in	mm	in	mm	in
Direct Mount	1/2" FNPT	Flange*	1/4" FNPT	M-20S-15-8NF-SS-V-T	85	3.35	-	-	65.0	2.56	182	7.17	32.0	1.26	5.0	0.20
	Flange	Flange	1/4" FNPT	M-20H-90-FF-SS-V-T	153	6.02	-	-	56.0	2.20	78	3.07	65.0	2.56	20.0	0.79

* Flange Standard per IEC 61518-A

M-20S-15-8NF-SS-V-T



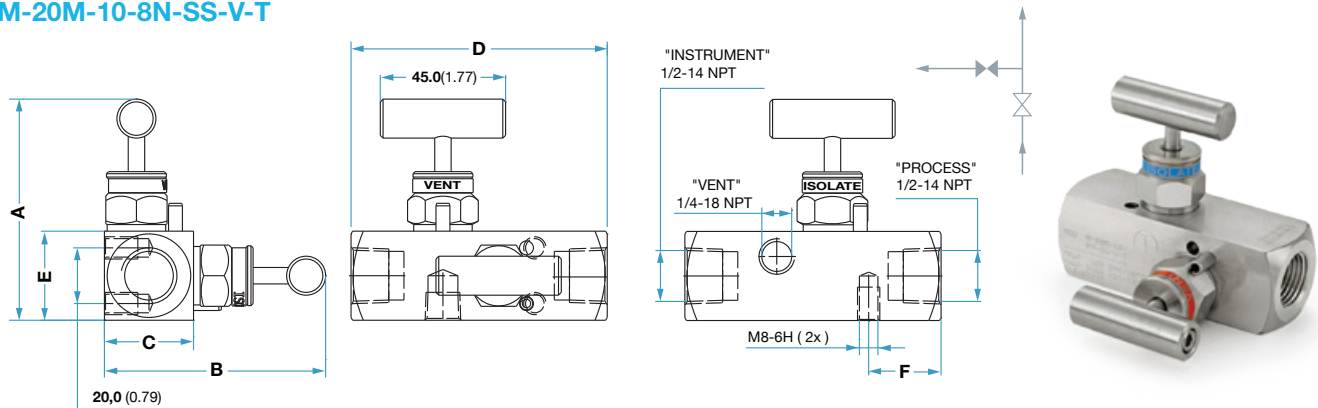
M-20H-90-FF-SS-V-T



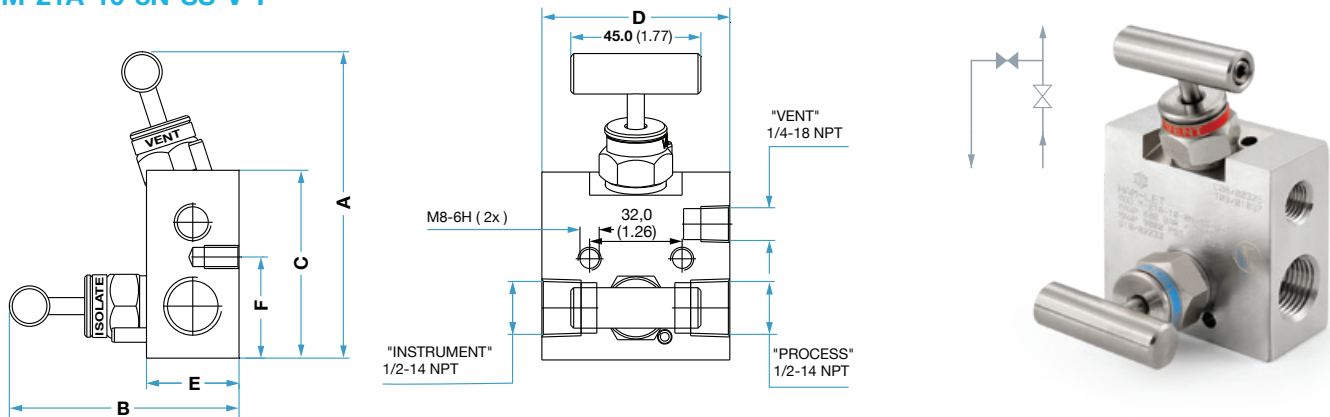
STANDARD CONFIGURATION DIMENSIONS 2-WAY REMOTE MOUNT

Instrument Mount Type	End Connection			Ordering Description	Dimensions											
					A		B		C		D		E		F	
	Process	Instrument	Vent / Bleed		mm	in	mm	in	mm	in	mm	in	mm	in	mm	in
Remote Mount	1/2" FNPT	1/2" FNPT	1/4" FNPT	M-20M-10-8N-SS-V-T	79	3.11	79.0	3.11	32.0	1.26	92.0	3.62	32	1.26	26	1.02
	1/2" FNPT	1/2" FNPT	1/4" FNPT	M-21A-10-8N-SS-V-T	107	4.21	79.4	3.13	65.0	2.56	65.0	2.56	32	1.26	35	1.38
	1/2" FNPT	1/2" FNPT	1/4" FNPT	M-21S-10-8N-SS-V-T	156	6.14	-	-	65.0	2.56	59.0	2.32	32	1.26	18	0.71

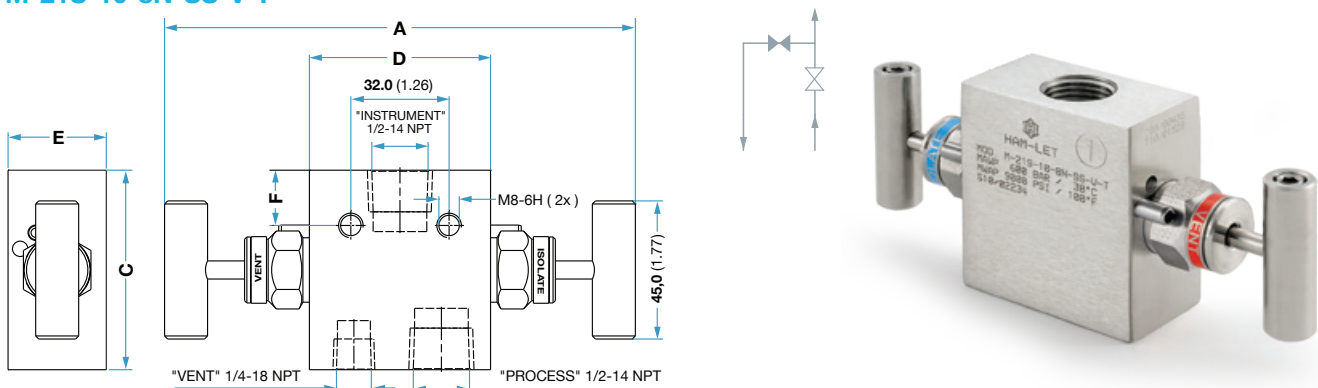
M-20M-10-8N-SS-V-T



M-21A-10-8N-SS-V-T



M-21S-10-8N-SS-V-T



ORDERING INFORMATION

2-WAY MANIFOLDS

M-2		0M		10		8		N		SS		T		LD		OC	
Family		End Connection		Type End Connection		Body Material		Packing		Option		Handle		Option		Option	
M-2	2-Way Manifold	00	Female integral Let-Lok*	FF	Flange*	SS	SST 316	T	PTFE	OC	Oxygen Clean	T	T Bar	HYD	Hydrostatic Pressure Test	K	10,000 psi (690 bar)
		10	Female to Female	N	NPT	M	Alloy 400	G	Grafoil®	V	Fluorocarbon FKM	B	Bleed Valve			V	Vent port 1/2"
		35	Male to Rotable Female	G	BSPP	D	Duplex 1.4462	PK	PEEK	EP	EPDM	P	Blind Plug				
		75	Female to Integral Flange to Rosemount Coplanar Design	R	BSPT	HC	Alloy C-276	PI	Polyimide	BU	NBR						
		80	Male to Male*	NF	NPT to Flange*	T	Titanium	V	Fluorocarbon FKM	BU	NBR						
		85	Male to Female*	RF	BSPT to Flange*	SD	SuperDuplex	EP	EPDM	BU	NBR						
		15	Female to Flange	GF	BSPP to Flange*	SDS	Super Duplex SAF2507	BU	NBR	BU	NBR						
		90	Flange to Flange	L	Female integral Let-Lok*	321	AISI 321	KZ	Perfluorelastomer								
				MSW	Metric Socket Weld	A6	Alloy 625										
				MML	Metric Female Integral Let-Lok	6M	254 Smo										
				MTBW	Metric Tube Butt Weld												
				MTSW	Metric Tube Socket Weld												

* M-20M & M-20I Only

(See table A)

Size	
4	1/4"
6	3/8"
8	1/2"
M20	M20x1.5
12	3/4" 12mm
14	14mm

* Key should be separately ordered

TABLE A: FLOW SCHEMATIC AND VALVE POSITION

Designator	Flow Schematic	Sketch
0M		
0I		
0H		
0S		
1S		
1A		

Warning!

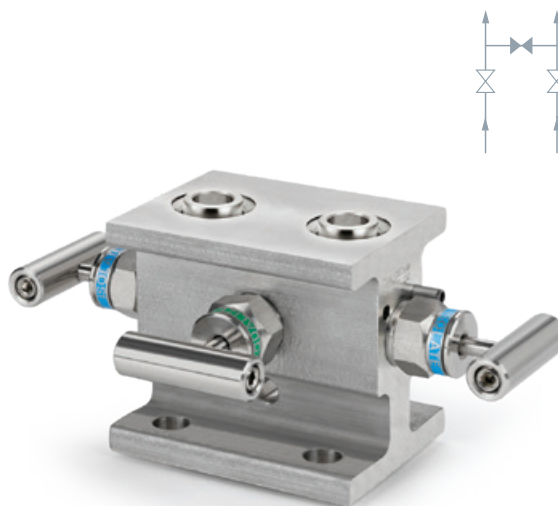
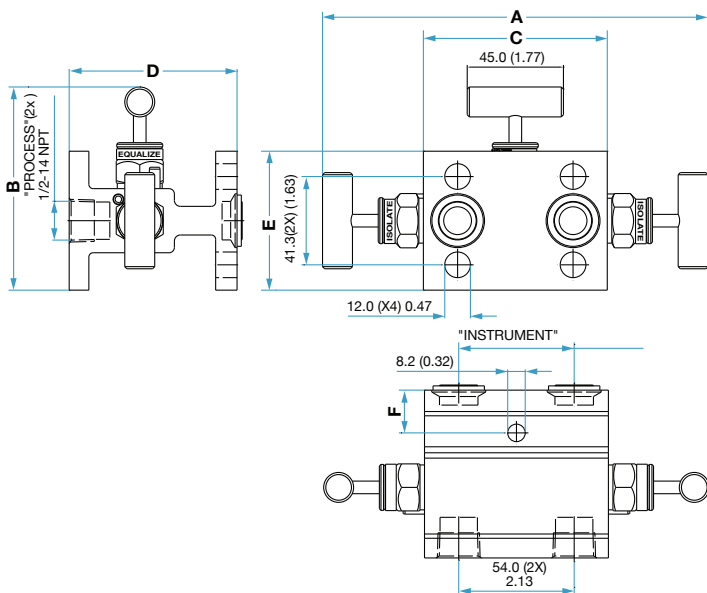
The system designer and user have the sole responsibility for selecting products suitable for their special application requirements, ensuring their safe and trouble-free installation, operation, and maintenance. Application details, material compatibility and product ratings should all be considered for each selected product. Improper selection, installation or use of products can cause property damage or personal injury.

STANDARD CONFIGURATION DIMENSIONS 3-WAY DIRECT MOUNT

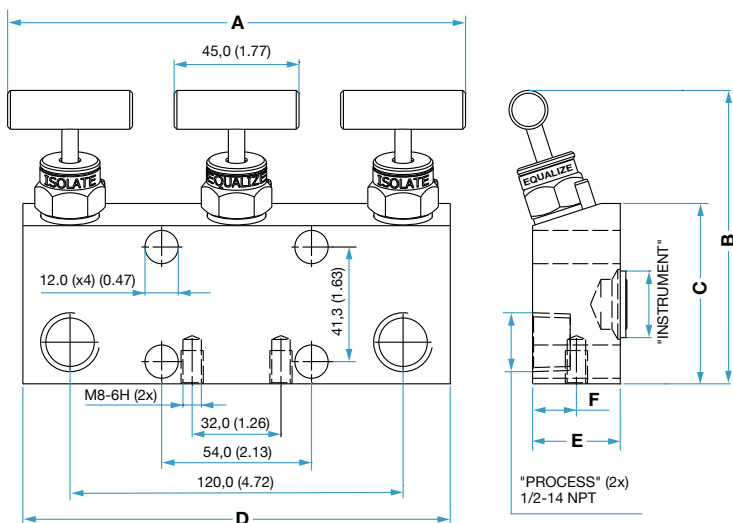
Instrument Mount Type	End Connection			Ordering Description	Dimensions											
					A		B		C		D		E		F	
	Process	Instrument	Vent/Bleed		mm	in	mm	in	mm	in	mm	in	mm	in	mm	in
Direct Mount	1/2" FNPT	Flange*	-	M-30H-15-8NF-SS-V-T	181.0	7.13	95.0	3.74	86.0	3.39	79.0	3.11	66.0	2.60	20.0	0.79
	1/2" FNPT	Flange*	-	M-30I-15-8NF-SS-V-T	161.0	6.34	107.0	4.21	65.0	2.56	150.0	5.91	32.0	1.26	16.0	0.63

* Flange Standard per IEC 61518-A

M-30H-15-8NF-SS-V-T



M-30I-15-8NF-SS-V-T



STANDARD CONFIGURATION DIMENSIONS

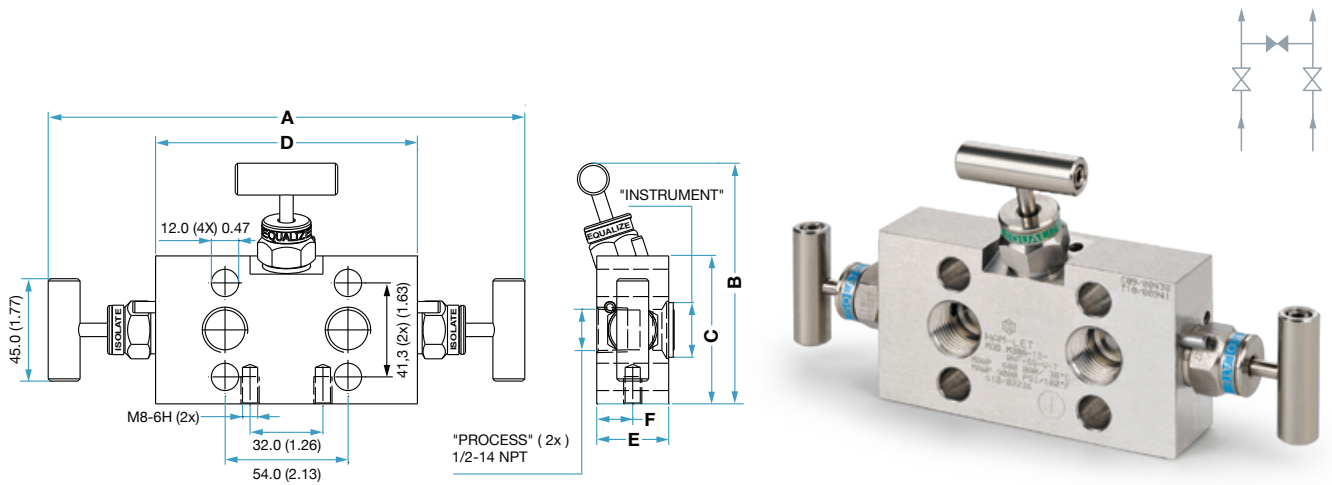
3-WAY DIRECT MOUNT



Instrument Mount Type	End Connection			Ordering Description	Dimensions											
					A		B		C		D		E		F	
	Process	Instrument	Vent / Bleed		mm	in	mm	in	mm	in	mm	in	mm	in	mm	in
Direct Mount	1/2" FNPT	*Flange	-	M-30A-15-8NF-SS-V-T	210.0	8.27	106.0	4.17	65.0	2.56	115.0	4.53	32.0	1.26	16.0	0.63
	*Flange	*Flange	-	M-30H-90-FF-SS-V-T	181.0	7.13	95.0	3.74	86.0	3.39	79.0	3.11	66.0	2.60	-	-

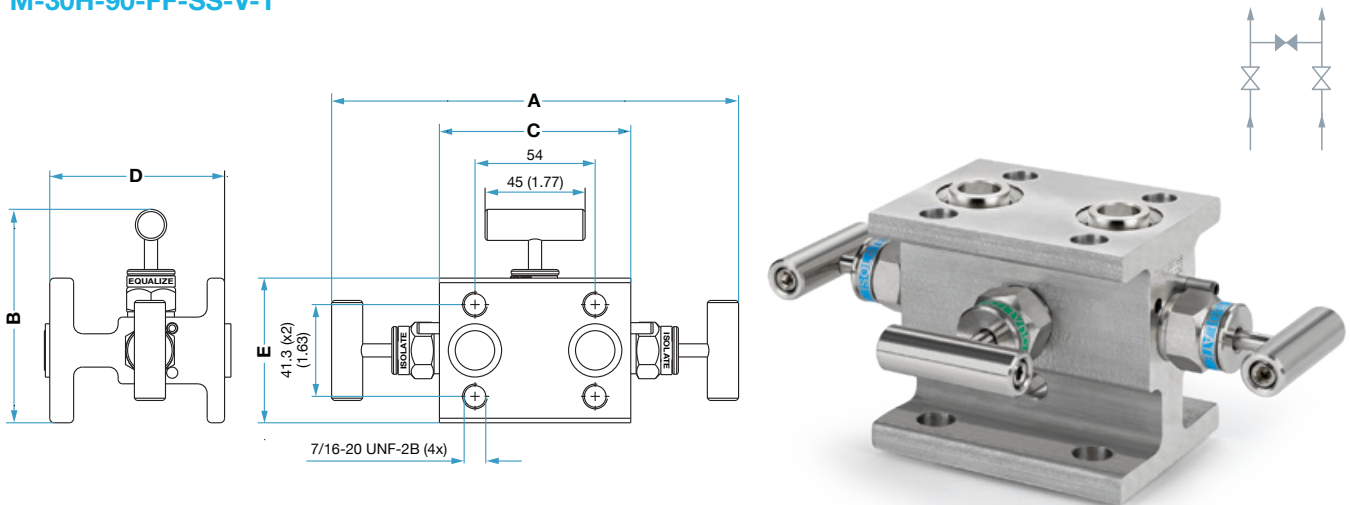
* Flange Standard per IEC 61518-A

M-30A-15-8NF-SS-V-T



* Optimal vent / test ports

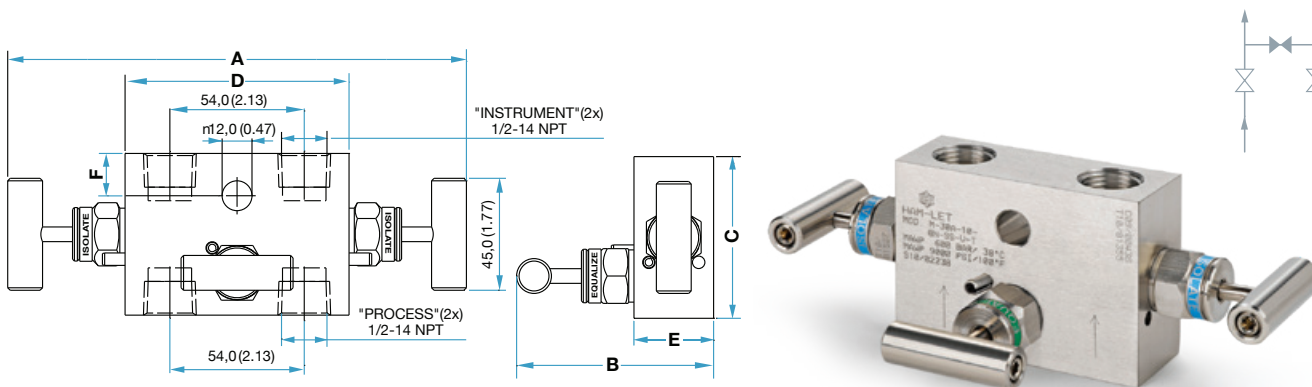
M-30H-90-FF-SS-V-T



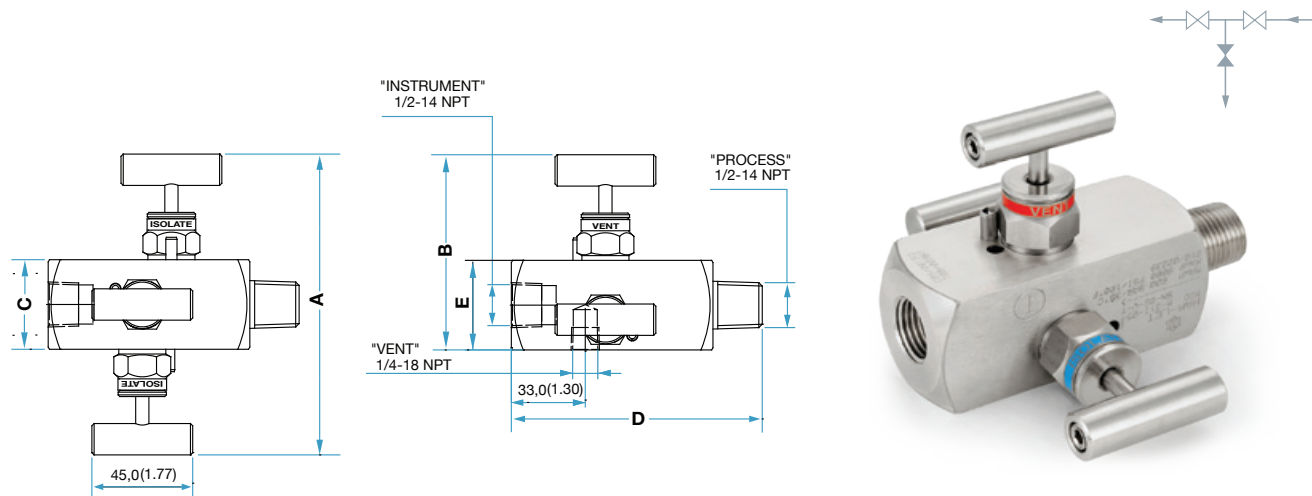
STANDARD CONFIGURATION DIMENSIONS 3-WAY REMOTE MOUNT

Instrument Mount Type	End Connection			Ordering Description	Dimensions											
					A		B		C		D		E		F	
	Process	Instrument	Vent/Bleed		mm	in	mm	in	mm	in	mm	in	mm	in	mm	in
Remote Mount	1/2" FNPT	1/2" FNPT	-	M30S-10-8N-SS-V-T	185.0	7.28	79.0	3.11	65.0	2.56	90.0	3.54	32.0	1.26	17.0	0.67
	1/2" MNPT	1/2" FNPT	1/4" FNPT	M32M-85-8N-SS-V-T	135.0	5.31	87.0	3.43	40.0	1.57	112.0	4.41	40.0	1.57	-	-

M-30S-10-8N-SS-V-T



M-32M-85-8N-SS-V-T-K



ORDERING INFORMATION 3-WAY MANIFOLDS

Family		End Connection		Type End Connection		Body Material		Packing		Option	
M-3	3-Way Manifold	00	Female integral Let-Lok	FF	Flange*	SS	SST 316	T	PTFE	OC	Oxygen Clean
		10	Female to Female	N	NPT	M	Alloy 400	G	Grafoil®	HYD	Hydrostatic Pressure Test
		25	Male to Flange IEC 61518	G	BSPP	D	Duplex 1.4462	PK	PEEK	K	10,000 psi (690 bar)
		35	Male to Rotable Female	R	BSPT	HC	Alloy C-276	PI	Polyimide	V	Vent Port 1/2"
		80	Male to Male*	NF	NPT to Flange*	T	Titanium	V	Fluorocarbon FKM	P	Blind Plug
		85	Male to Female*	NI	PT to Integral Flange to Rose-mount Coplanar design	SD	SuperDuplex	EP	EPDM		
		15	Female to Flange	RF	BSPT to Flange*	SDS	Super Duplex SAF2507	BU	NBR		
		90	Flange to Flange	GF	BSPP to Flange*	321	AISI 321	KZ	Perfluorelastomer		
				L	Female integral Let-Lok	6M	254 Smo				
				PSW	Pipe Socket Weld						
				PBW	Pipe Butt Weld						

Flow Scheme	
0A	Angle Flat
0S	Straight
0I	In-Line
0H	H- Type
1I	In - line
2M	Angle Square
1B	T-Type

Handle	
T	T bar
AT	Anti Tamper*
LD	Locking Device*

* M-32M only

* Flange standard per IEC 61518-A

* Key should be separately ordered

(See table A)

Size	
4	1/4"
6	3/8"
8	1/2"
12	3/4"
16	1" 16mm
M20	M20x1.5

TABLE A: FLOW SCHEMATIC AND VALVE POSITION

Designator	Flow Schematic	Valves Position	Sketch
0S		S	
0H		H	
0I		I	
0A		A	
1I		I	
2M		M	

Warning!

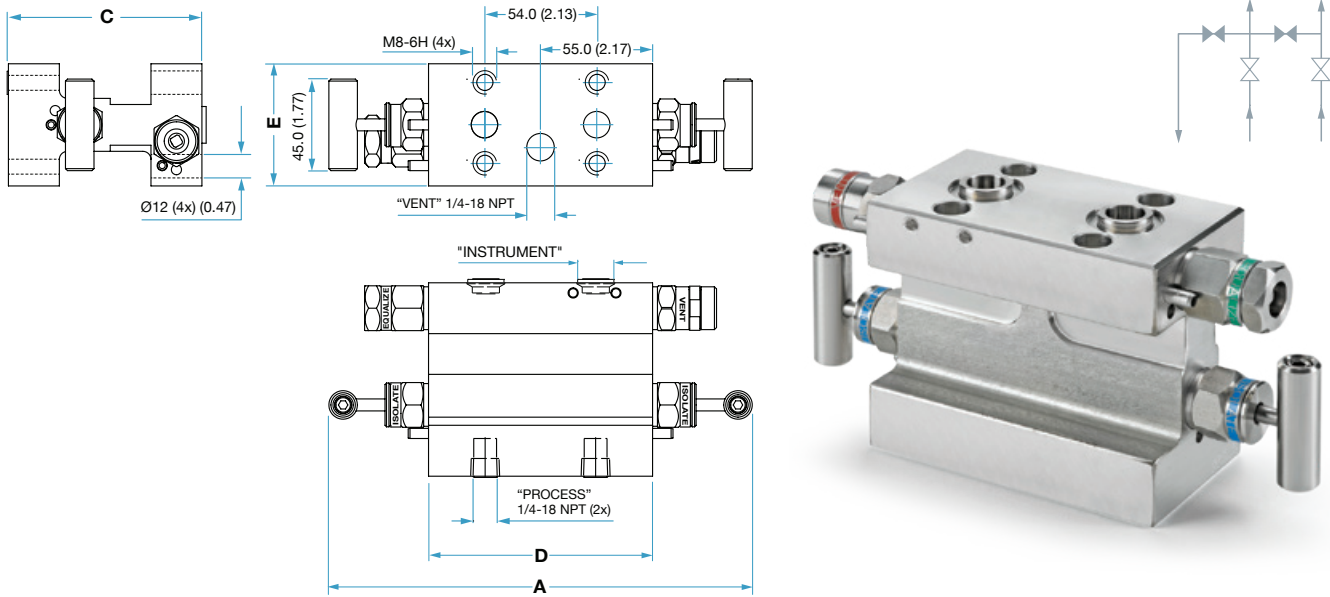
The system designer and user have the sole responsibility for selecting products suitable for their special application requirements, ensuring their safe and trouble-free installation, operation, and maintenance. Application details, material compatibility and product ratings should all be considered for each selected product. Improper selection, installation or use of products can cause property damage or personal injury.

STANDARD CONFIGURATION DIMENSIONS 4-WAY REMOTE MOUNT

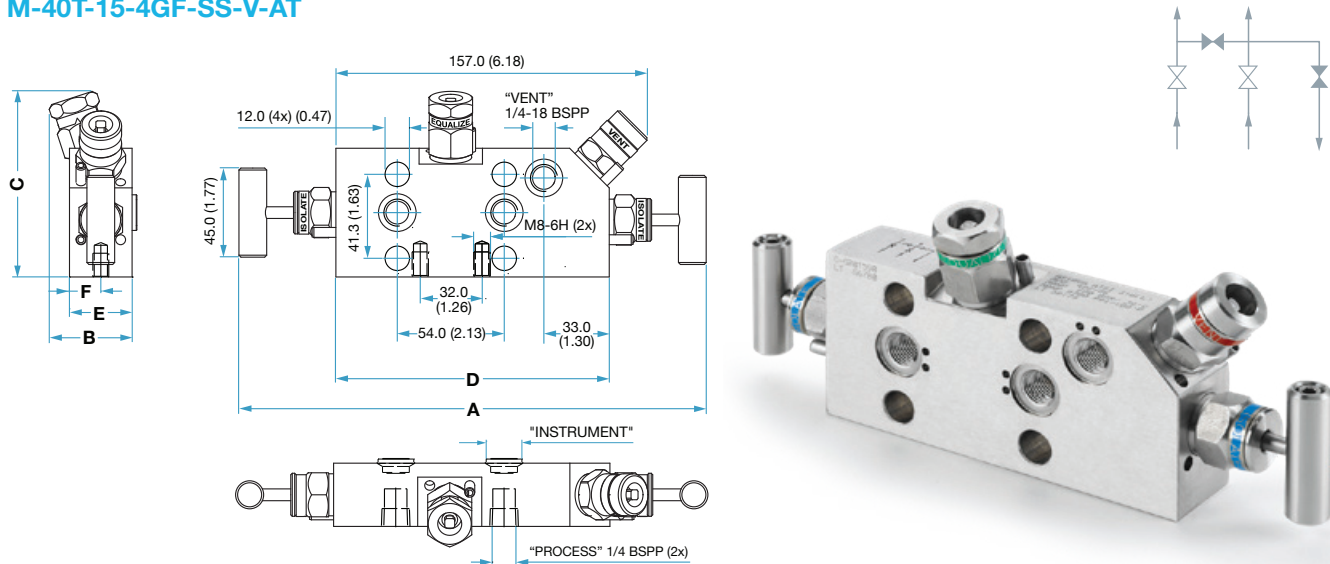
Instrument Mount Type	End Connection			Ordering Description	Dimensions											
					A		B		C		D		E		F	
	Process	Instrument	Vent/Bleed		mm	in	mm	in	mm	in	mm	in	mm	in	mm	in
Direct Mount	1/4" FNPT	Flange*	1/4" FNPT	M-40H-15-4NF-SS-V-AT	208.0	8.18	-	-	95.0	3.74	110.0	4.33	60.0	2.36	-	-
	1/4" BSPP	Flange*	1/4" BSPP	M-40T-15-4GF-SS-V-AT	236.0	6.29	42.0	1.65	94.0	3.69	138.0	5.43	32.0	1.24	16.0	0.63

* Flange standard per IEC 61518-A

M-40H-15-4NF-SS-V-AT



M-40T-15-4GF-SS-V-AT

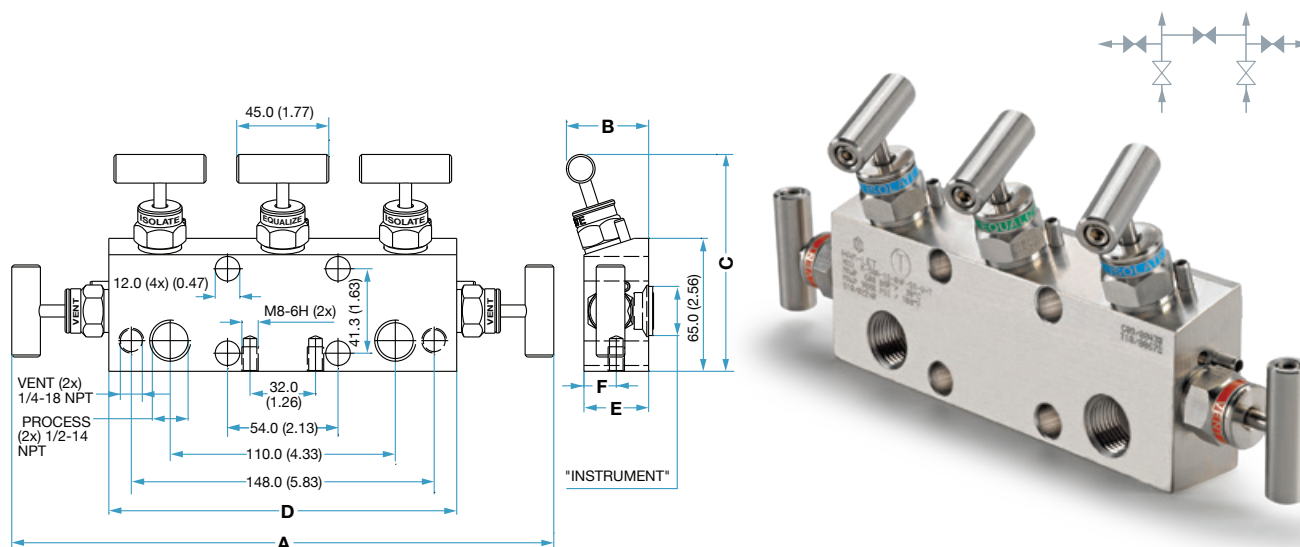


STANDARD CONFIGURATION DIMENSIONS 5-WAY DIRECT MOUNT

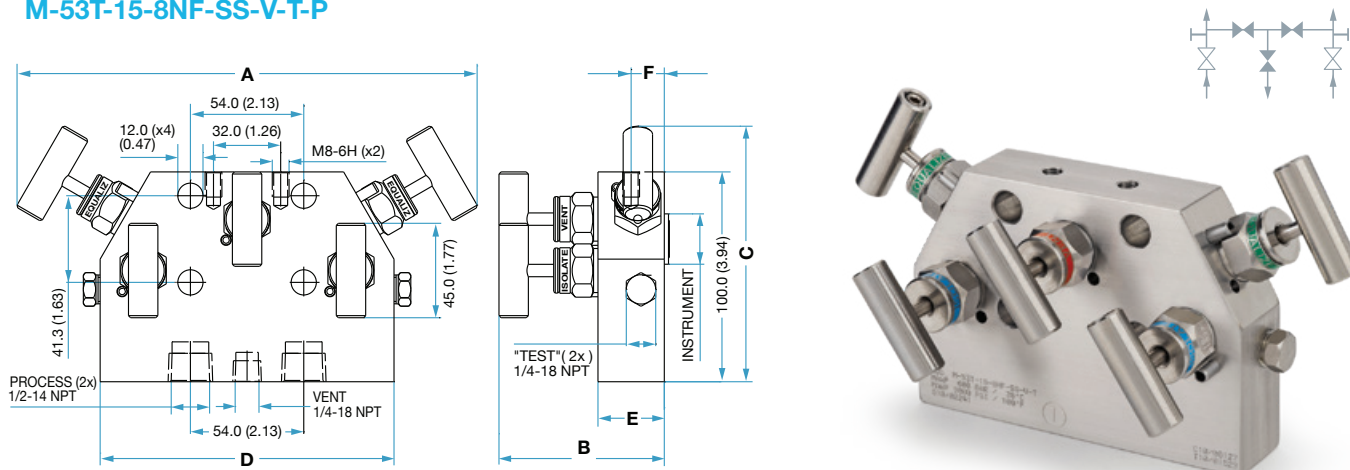
Instrument Mount Type	End Connection			Ordering Description	Dimensions											
					A		B		C		D		E		F	
	Process	Instrument	Vent/Bleed		mm	in	mm	in	mm	in	mm	in	mm	in	mm	in
Direct Mount	1/2" FNPT	Flange*	1/4" FNPT	M-50A-15-8NF-SS-V-T	265.0	10.43	41.0	1.61	106.0	4.17	170.0	6.69	32.0	1.26	16.0	0.63
	1/2" FNPT	Flange*	1/4" FNPT	M-53T-15-8NF-SS-V-T	220.0	8.66	79.0	3.11	122.0	4.80	140.0	5.51	32.0	1.26	16.0	0.63

* Flange standard per IEC 61518-A

M-50A-15-8NF-SS-V-T



M-53T-15-8NF-SS-V-T-P



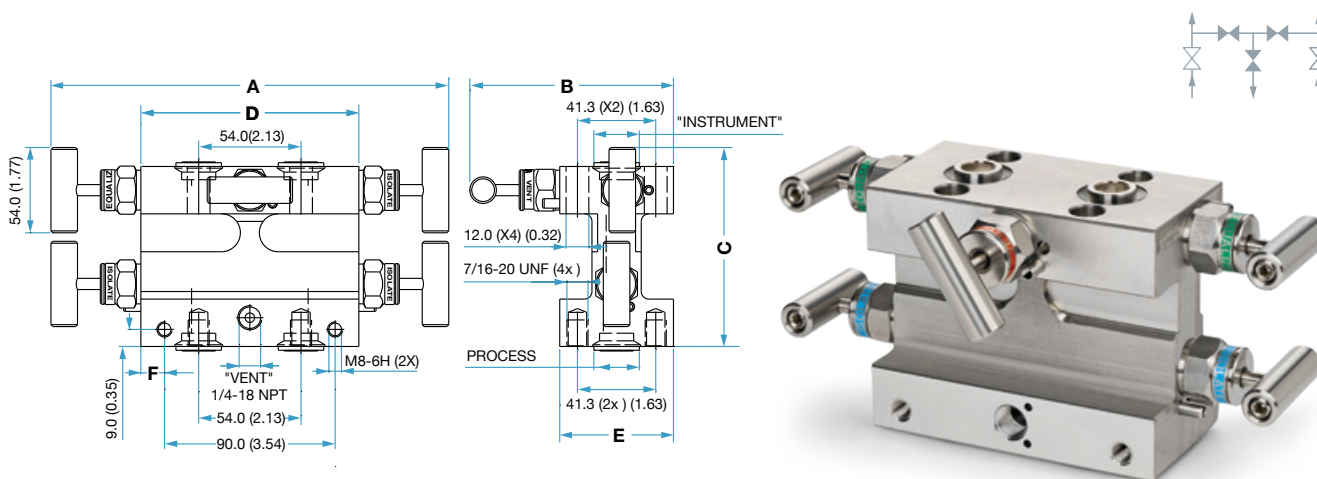
STANDARD CONFIGURATION DIMENSIONS

5-WAY DIRECT MOUNT

Instrument Mount Type	End Connection			Ordering Description	Dimensions											
					A		B		C		D		E		F	
	Process	Instrument	Vent/Bleed		mm	in	mm	in	mm	in	mm	in	mm	in	mm	in
Direct Mount	Flange*	Flange*	1/4" FNPT	M-54H-90-FF-SS-V-T	210.0	8.27	108.0	4.25	105.0	4.13	115.0	4.53	60.0	2.36	12.5	0.49

* Flange Standard per IEC 61518-A

M-54H-90-FF-SS-V-T

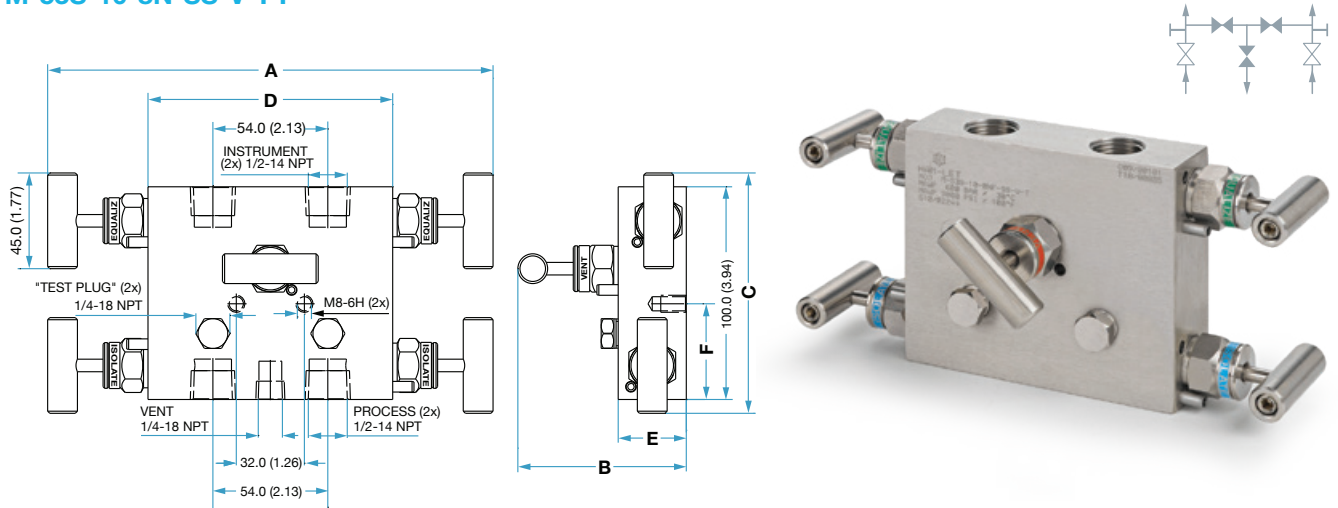


STANDARD CONFIGURATION DIMENSIONS

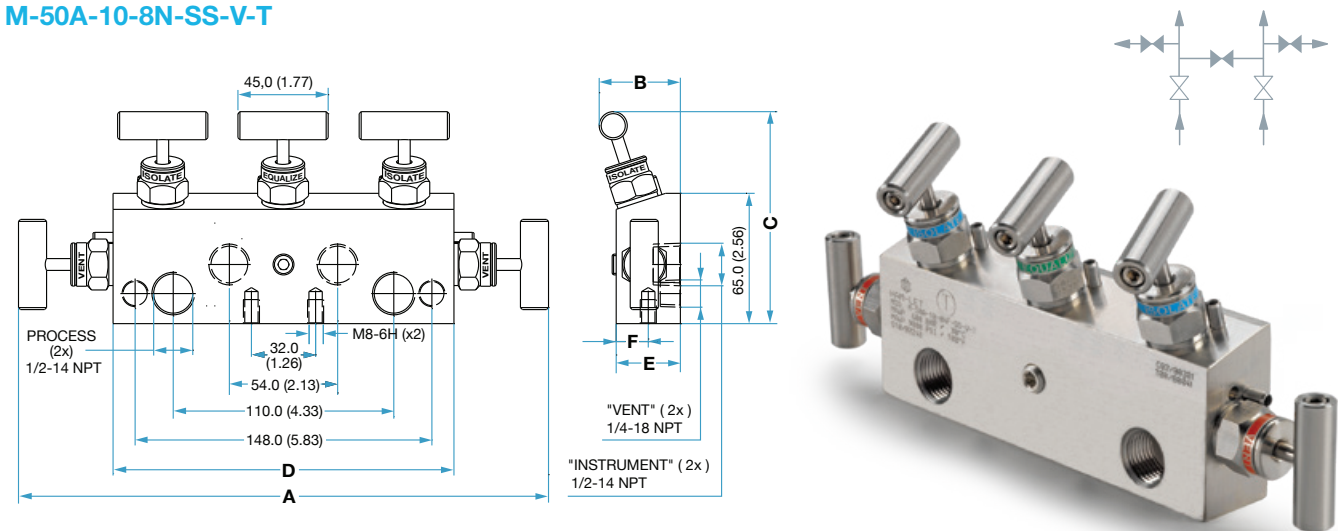
5-WAY REMOTE MOUNT

Instrument Mount Type	End Connection			Ordering Description	Dimensions											
					A		B		C		D		E		F	
	Process	Instrument	Vent/Bleed		mm	in	mm	in	mm	in	mm	in	mm	in	mm	in
Remote Mount	1/2" FNPT	1/2" FNPT	1/4" FNPT	M-53S-10-8N-SS-V-T	210.0	8.27	80.0	3.15	113.0	4.45	115.0	4.53	32.0	1.26	45.0	1.77
	1/2" FNPT	1/2" FNPT	1/4" FNPT	M-50A-10-8N-SS-V-T	265.0	10.43	41.0	1.61	106.0	4.17	170.0	6.69	32.0	1.26	16.0	0.63

M-53S-10-8N-SS-V-T-P



M-50A-10-8N-SS-V-T



ORDERING INFORMATION 5-WAY MANIFOLDS

Family		End Connection		Type End Connection		Body Material		Packing		Option	
M-5	5-Way Manifold	10	Female to Female	FF	Flange*	SS	SST 316	T	PTFE	OC	Oxygen Clean
Flow Scheme		15	Female to Flange	N	NPT	M	Alloy 400	G	Grafoil®	HYD	Hydrostatic Pressure Test
0A	Angle Flat	75	Female to Male	G	BSPP	D	Duplex 1.4462	PK	PEEK (H_2)	K	10,000 psi (690 bar)
1A	Angle Flat	90	Flange to Flange	R	BSPT	HC	Alloy C-276	PI	Polyimide (H_2)	V	Vent Port 1/2"
2T	Taper	Size		NF	NPT to Flange*	T	Titanium	V	Fluorocarbon FKM	P	Blind Plug
3T	Taper	4	1/4"	RF	BSPT to Flange*	SD	SuperDuplex	EP	EPDM	Handle	
3S	Straight	6	3/8"	GF	BSPP to Flange*	A6	Alloy 625	BU	NBR	T	T bar
4H	H-Type	8	1/2"	L	Female integral Let-Lok®			KZ	Perfluorelastomer	AT	Anti Tamper*
4A	Angle Flat	12	3/4" 12MM	NI	NPT to Integral Flanged to Rosemount Coplanar Design					LD	Locking Device*
4I	In-Line										

* Flange standard per IEC 61518-A

(See table A)

* Key should be separately ordered

TABLE A: FLOW SCHEMATIC AND VALVE POSITION

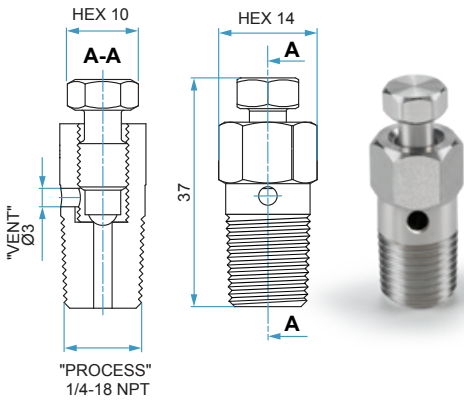
Designator	Flow Schematic	Sketch
0A		
1A		
2T		
3T		
3S		
4H		
4A		
4I		

Warning!

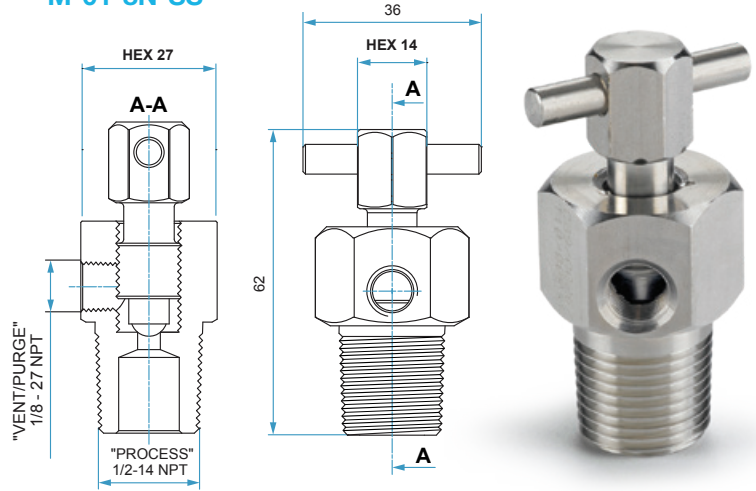
The system designer and user have the sole responsibility for selecting products suitable for their special application requirements, ensuring their safe and trouble-free installation, operation, and maintenance. Application details, material compatibility and product ratings should all be considered for each selected product. Improper selection, installation or use of products can cause property damage or personal injury.

BLEED VALVE

1/4" MNPT
M-01-4N-SS

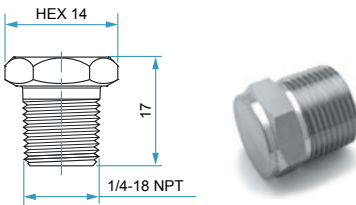


1/2" MNPT
M-01-8N-SS

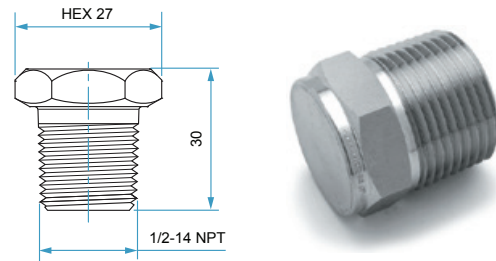


BLIND PLUG

1/4" MNPT
M-02-4N-SS

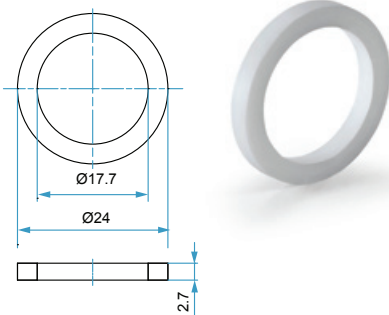


1/2" MNPT
M-02-8N-SS



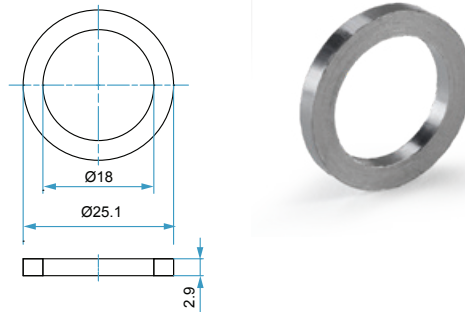
MOUNTING GASKET IEC 61518-A

PTFE
M-03-GK-IECA-T



Kit contains: Two Gaskets

GRAFOIL®
M-03-GK-IECA-G

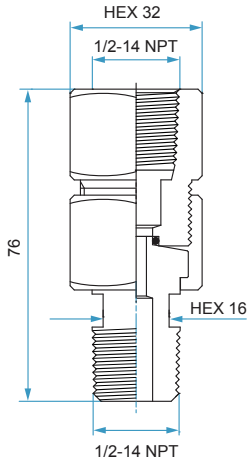


Kit contains: Two Gaskets

GAUGE CONNECTOR

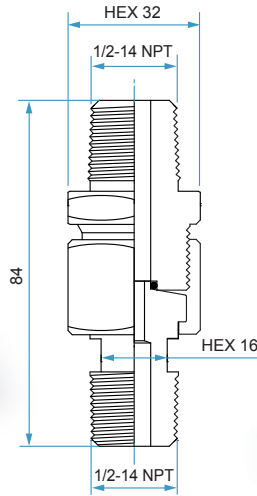


360° POSITIONING MALE TO FEMALE M-05-85-8N-SS-V



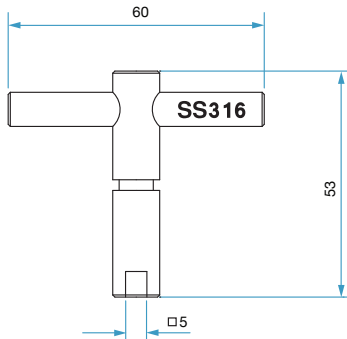
Fluorocarbon FKM O-ring

360° POSITIONING MALE TO MALE M-05-80-8N-SS-V



ANTI TAMPER KEY

5 MM M-06-KEY-5MM-SS



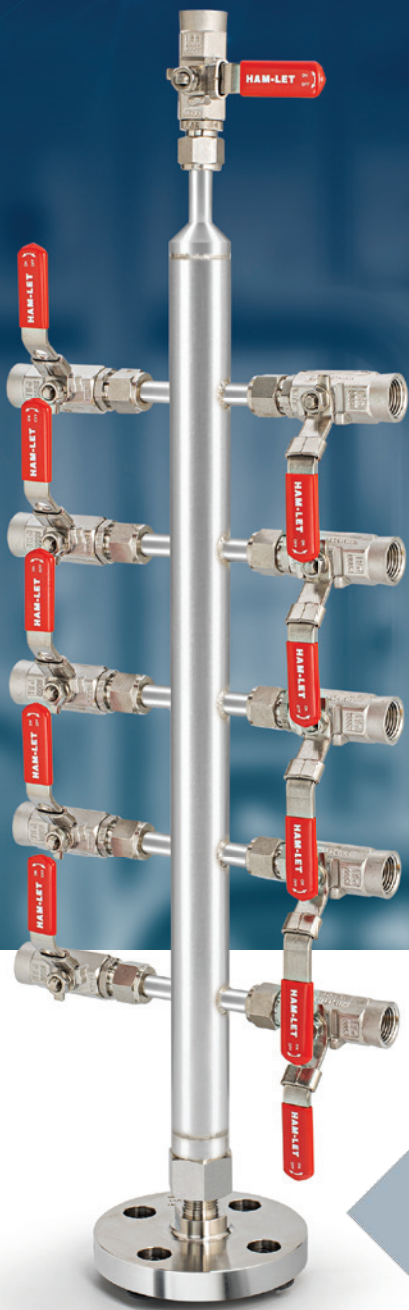
Not included in order of anti-tampered bonnet manifold.
This key should be separately ordered.





HAM-LET MEDIA HEADER

HMH



Platinum Natural Gas Solutions
www.ptngs.com
info@ptngs.com 484.897.0345

HMH FEATURES

- Welded body construction schedule 40 and 80
- 316L stainless steel
- Modular design for maintenance and easy installation
- Maximum allowed working pressure 1000 psi (69 bar)
- Available in 1" and 2" manifold body
- Wide range of valve options: H-800, H-700, H-500, H-300U series
- Multiple choices of inlet and outlet types
- Up to 12 outlet distribution valves

TESTING

Each Media Header is tested for leakage through the shell with Nitrogen at 80 psig.

CLEANING & PACKAGING

Every Media Header is cleaned in accordance with Standard Cleaning and Packaging (Procedure 8184).

MATERIALS OF CONSTRUCTION

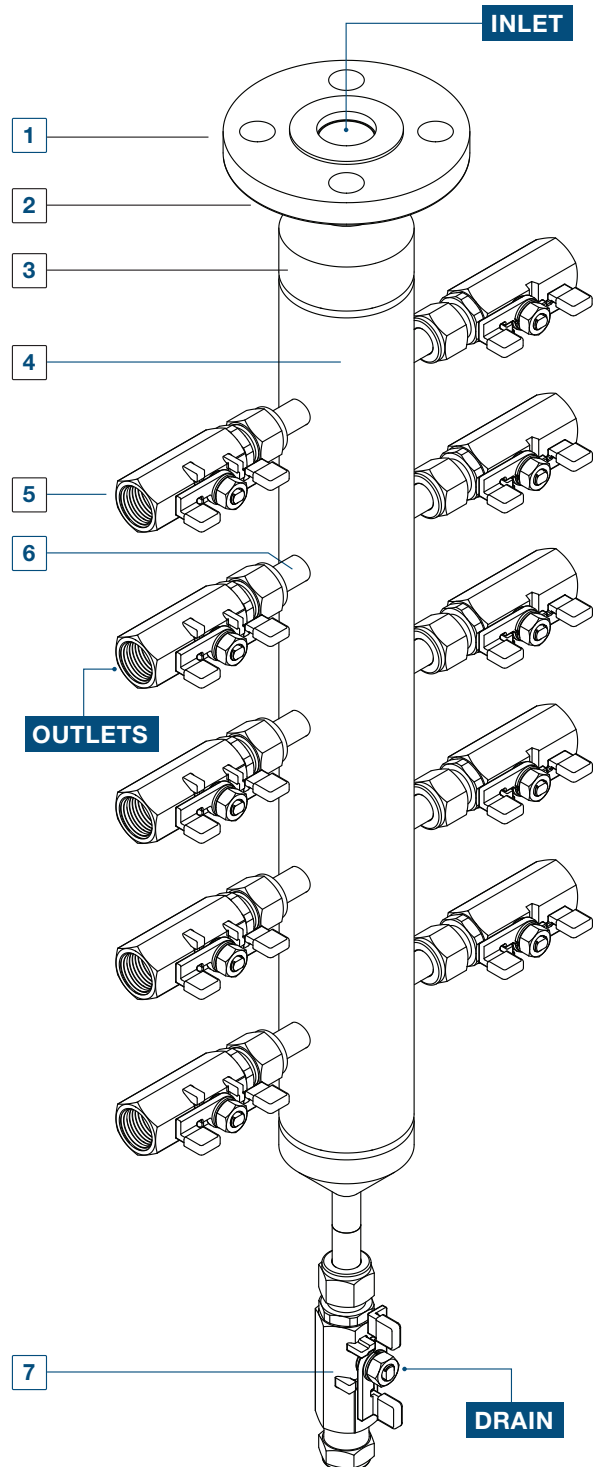
No.	COMPONENTS	MATERIAL
1	Inlet (Valve, Fitting or Flange)	316 Stainless Steel
2	Adapter Inlet	316L Stainless Steel
3	Reducer	316L Stainless Steel
4	Pipe	316L Stainless Steel
5	Outlet Valve	H-800, H-700, H-500, H-300U
6	Adapter Outlet	316L Stainless Steel
7	Drain (Valve or Fitting)	316 Stainless Steel

All welded parts are SS316L constructed

GENERAL

Media Header distribution is a common solution in a variety of gas and liquid applications.

The Media Header allows for multiple outlet flow paths which can be controlled by activation of the valves. The Media Header design consists of an inlet, multiple outlets on the sides and a drain in the opposite side of the inlet.



HAM-LET MEDIA HEADER ORDERING INFORMATION

Options

HMH	14	6	7	LK16	7	LK	8	7	LK08			
Valve Series	Inlet		Outlet		Type Connection		Drain Connection			Option*		
Pipe Size	3	H-300U	3	H-300U	LK	Let-Lok	DN15	DIN DN15/PN40		G	Pressure Gauge	
14	5	H-500	5	H-500	TS	Tube fitting	DN25	DIN DN25/PN40		D	Dye penetration test for all welding	
24	7	H-700	7	H-700	MP	Male NPT	EN15	EN DN15/PN40		O	Valve on one side	
Number of Outlets*	8	H-800	8	H-800	FP	Female NPT	EN25	EN DN25/PN40		*It is possible to choose more than one option		
6	F	Flange	F	Flange	Outlet Connection		N1	ANSI flange class 150				
8	L	Fitting	L	Fitting	04	1/4	N3	ANSI flange class 300				
10	Inlet Connection				06	3/8	N6	ANSI flange class 600				
12	DN15	DIN DN15/PN40		08	1/2	N9	ANSI flange class 900					
<small>*Other number of outlets available upon request</small>	DN25	DIN DN25/PN40		6M	6MM	N15	ANSI flange class 1500					
	EN15	EN DN15/PN40		8M	8MM	N25	ANSI flange class 2500					
	EN25	EN DN25/PN40		10M	10MM	MP16	1" Female NPT					
	N1	ANSI flange class 150		12M	12MM	MP04	1/4" MNPT					
	N3	ANSI flange class 300		Drain		MP06	3/8" MNPT					
	N6	ANSI flange class 600		8	H-800	MP08	1/2" MNPT					
	N9	ANSI flange class 900		5	H-500	FP04	1/4" FNPT					
	N15	ANSI flange class 1500		7	H-700	FP06	3/8" FNPT					
	N25	ANSI flange class 2500		F	H-300U	FP08	1/2" FNPT					
	MP16	1" Female NPT		F	Flange	LK04	1/4" Let-Lok					
	MP04	1/4" MNPT		L	Fittings	LK06	3/8" Let-Lok					
	MP06	3/8" MNPT										
	MP08	1/2" MNPT										
	FP04	1/4" FNPT										
	FP06	3/8" FNPT										
	FP08	1/2" FNPT										
	LK04	1/4" Let-Lok										
	LK06	3/8" Let-Lok										
	LK08	1/2" Let-Lok										
	LK12	3/4" Let-Lok										
	LK16	1" Let-Lok										
	LK6M	6mm Let-Lok										
	LK8M	8mm Let-Lok										
	LK10M	10mm Let-Lok										
	LK12M	12mm Let-Lok										
	LK25M	25mm Let-Lok										

If you require a different configuration, please contact your authorized UCT representative.

